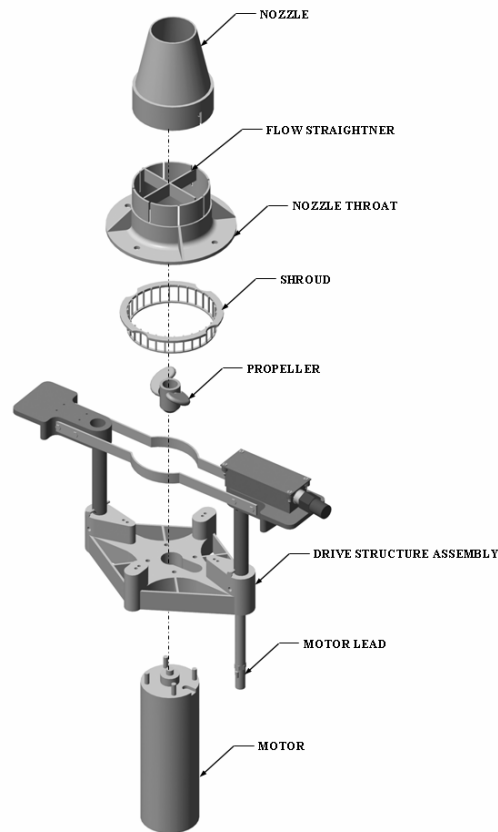




## PLATINUM PROPELLER PUMP DRIVE STRUCTURE OR MOTOR REPLACEMENT



### **!WARNING: RISK OF ELECTRIC SHOCK, DISCONNECT POWER PRIOR TO SERVICING**

STEP 1 Place the fountain upright with the motor resting on a stable surface. CAUTION: Do not allow the unit to fall over as damage may occur.

STEP 2 Remove the nozzle by loosening the two hex head screws on both sides of the nozzle. Rotate the nozzle counter-clockwise to unlock and lift nozzle upward off the nozzle throat.

STEP 3 Remove the nozzle throat from the motor mount by removing the four hex head machine screws and the prop shroud.

STEP 4 Remove the original propeller by pulling upward on the propeller. NOTE: No set screws or pins are used to retain propeller to shaft.

STEP 5 Remove the four screws from the junction box lid and remove lid.

STEP 6 Remove the four wire nuts that attach the motor lead to the male disconnect and discard.

STEP 7 Remove the two screws from the motor lead cover located on the bottom side of the motor mount, exposing the motor lead wire.

STEP 8 Pull the motor lead wires out of the support tube.

STEP 9 Remove the four nuts and washers that attach the motor to the mount and lift the drive structure assembly off of the motor.

STEP 10 Insert motor lead wires through the support tube and into the junction box.

STEP 11 Reinstall the motor lead cover located on the bottom side of the motor mount.

STEP 12 Install the new or original drive structure assembly to the replacement motor or the original motor.

STEP 13 Connect the motor lead wires to the male disconnect using new silicone filled wire nuts.

STEP 14 Reinstall the junction box lid.

STEP 15 Reinstall propeller, prop shroud and nozzle assembly. Insure flow straightner is installed and propeller turns freely.