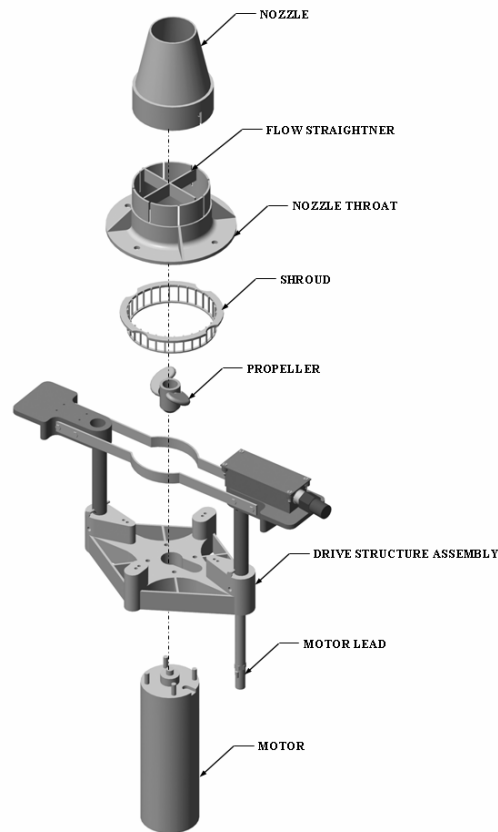




PROPELLER PUMP NOZZLE AND SHROUD REPLACEMENT



!WARNING: RISK OF ELECTRIC SHOCK, DISCONNECT POWER PRIOR TO SERVICING

STEP 1 Place the fountain upright with the motor resting on a stable surface. CAUTION: Do not allow the unit to fall over as damage may occur.

STEP 2 Remove the nozzle by loosening the two hex head screws on both sides of the nozzle. Rotate the Nozzle counter-clockwise to unlock and lift nozzle upward off the nozzle throat.

STEP 3 Remove the nozzle throat from the motor mount by removing the four hex head machine screws and the prop shroud.

STEP 4 Remove any remains of the original prop shroud and/or debris.

STEP 5 Install the new prop shroud and nozzle assembly in reverse order. Caution: Insure flow straightner is installed and that the propeller turns freely.