

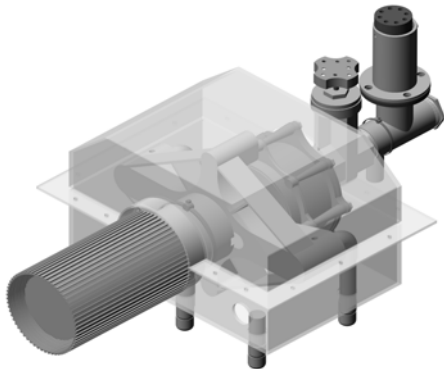
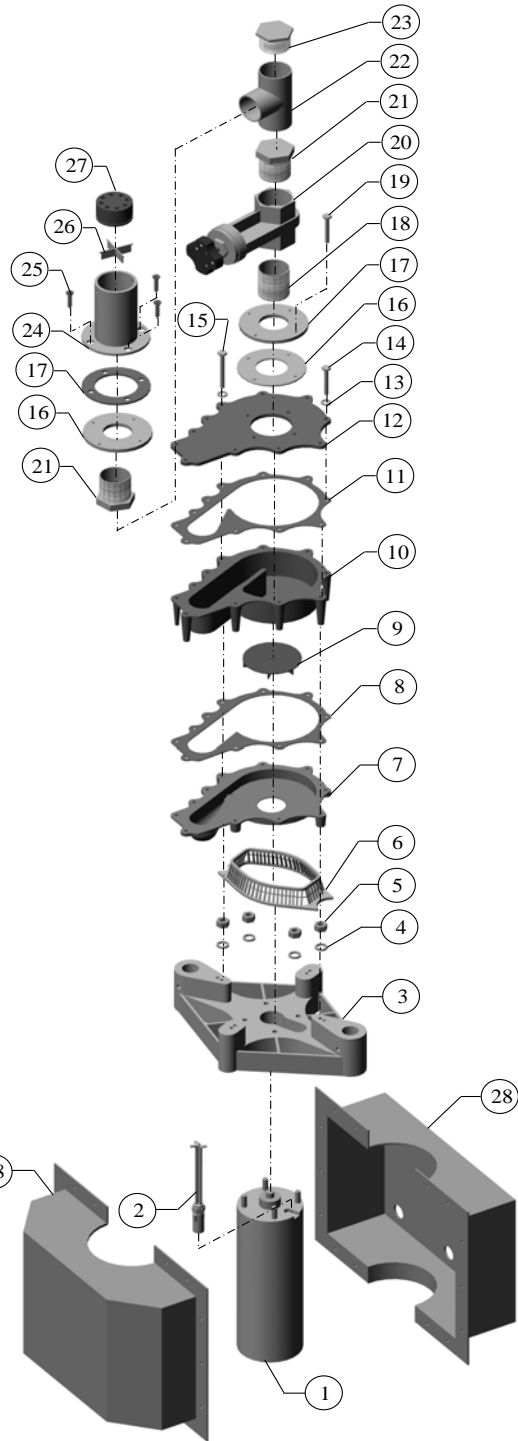
## GULF STREAM PARTS LIST

ITEM	PART DESCRIPTION	QTY	PART NUMBER
1	MOTOR, FRANKLIN	1	SEE LISTING
2	WIRE ASSEMBLY, 12/4, 50'	1	90WA50GS
3	MOUNT, MOTOR, FNA	1	04MMFAIM
4	WASHER, FLAT, 5/16"	4	18079025
5	NUT, LOCK, 5/16-24"	4	18078500
6	SHROUD, IMPELLER	1	70PCFNACP
7	HOUSING, PUMP	1	64PH-PIMG
8	GASKET, HOUSING, PUMP	1	64PHG2
9	IMPELLER	1	SEE LISTING
10	RETURN, PUMP	1	64PR-PIMG
11	GASKET, RETURN, PUMP	1	64PRG2
12	LID, PUMP	1	64PRL-PIMG
13	WASHER, FLAT, 1/4"	11	18079020
14	SCREW, LOCK, 1/4-20 X 2-3/4"	7	18101025275LL
15	SCREW, LOCK, 1/4-20 X 3-3/4"	4	18101025375LL
16	GASKET, NOZZLE	2	64GFN
17	ADAPTOR, FLANGE	2	76FPVC25
18	NIPPLE, 2-1/2", PVC	1	76NP212
19	SCREW, 1/4-20 X 1-1/4", HHCS	4	18001290
20	VALVE, GATE, 2-1/2"	1	75GV212
21	ADAPTOR, MALE, 2-1/2", PVC	2	76MTAP212
22	TEE, 2-1/2", PVC	1	76TP212
23	CAP, 2-1/2", PVC	1	76CP212
24	PLENUM, WATER	1	64WPCP
25	SCREW, HHCS, 1/4-20 X 3/4" LOCK	4	1810102575LL
26	STRAIGHTENER, FLOW	1	64FSCP
27	NOZZLE ASSEMBLY	1	SEE LISTING
28	PUMP MOUNTING CHAMBER ASSEMBLY	1	90GSPMC

1-HP, 230-VOLT, 1-PH.	4921450812
2-HP, 230-VOLT, 1-PH, S.F.	4922430188
3-HP, 230-VOLT, 1-PH, S.F.	4922430288

ITEM, 27 NOZZLE ASSEMBLY	PART NUMBER
NOVA	90NA-NOV
NORTHSTAR	90NA-NOR
SOLACE	90NA-SOL
GALAXY	90NA-GAL
DIANA	90NA-DIA

ITEM 9, IMPELLER	PART NUMBER
ONE HORSEPOWER	70CPIM1
TWO HORSEPOWER	70CPIM2
THREE HORSEPOWER	70CPIM3



01/01/08

# GULF STREAM COMPONENTS

1/1/09

ITEM	PART NUMBER	DESCRIPTION	PRICE
1	MOTOR FRANKLIN	SEE BELOW	
2	90WA50GS	WIRE ASSEMBLY 12/4 50'	165.00
3	04MMFAIM	MOTOR MOUNT	268.00
4	18079025	WASHER, FLAT, 5/16	0.20
5	18078500	NUT, LOCK, 5/16-24	0.40
6	70PGFNACP	SHROUD, IMPELLER	8.00
7	64PH-PIMG	PUMP HOUSING	90.00
8	64PHG2	GASKET, PUMP HOUSING	8.75
9	IMPELLER	SEE BELOW	
10	64PR-PIMG	RETURN, PUMP	90.00
11	64PRG2	GASKET, RETURN, PUMP	8.75
12	64PRL-PIMG	LID, PUMP	65.00
13	18079020	WASHER, FLAT, 1/4"	0.20
14	18101025275LL	SCREW, LOCK, 1/4-20 x 2-3/4"	2.85
15	18101025375L	SCREW, LOCK, 1/4-20 x 3-3/4"	3.90
16	64GFN	GASKET, NOZZLE	6.75
17	76FPVC25	ADAPTER, FLANGE	65.00
18	76NP212	NIPPLE, PVC, 2-1/2"	8.00
19	18001290	SCREW, HHCS, 1/4-20 x 1-1/4"	1.80
20	75GV212	VALVE, GATE, 2-1/2"	80.00
21	76MTP212	ADAPTOR, MALE, 2-1/2", PVC	15.00
22	76TP212	TEE, 2-1/2", PVC	20.00
23	76CP212	CAP, 2-1/2", PVC	8.00
24	64WPCP	PLENIUM, WATER	26.00
25	1810102575LL	SCREW, HHCS, 1/4-20 x 3/4" LOCK	2.85
26	64FSCP	STRIGHTNER, FLOW	7.75
27	NOZZLE ASSY.	SEE BELOW	
28	90GSPMC	PUMP MOUNTING CHAMBER ASSEMBLY	540.00
	4921450812	MOTOR, FRANKLIN, 1HP, 230V, 1PH	395.00
	4922430188	MOTOR, FRANKLIN, 2HP, 230V, 1PH, SF	950.00
	4922430288	MOTOR, FRANKLIN, 3HP, 230V, 1PH, SF	1150.00
	70CPIM1	IMPELLER, 1HP	62.00
	70CPIM2	IMPELLER, 2HP	62.00
	70CPIM3	IMPELLER, 3HP	62.00
	90NAPVCNOV	NOVA, NOZZLE ASSEMBLY	130.00
	90NAPVCGAL	GALAXY, NOZZLE ASSEMBLY	130.00
	90NAPVCDIA	DIANA, NOZZLE ASSEMBLY	130.00
	90NAPVCSOL	SOLACE, NOZZLE ASSEMBLY	130.00
	90NAPVCNOR	NORTHSTAR, NOZZLE ASSEMBLY	130.00

# GULF STREAM SUB ASSEMBLIES

1/1/09

PART NUMBER	DESCRIPTION	PRICE
90CPA1	CENTRIFUGAL PUMP ASSY. 1 HP., (ITEMS 6-15)	370.00
90CPA2	CENTRIFUGAL PUMP ASSY. 2 HP., (ITEMS 6-15)	370.00
90CPA3	CENTRIFUGAL PUMP ASSY. 3 HP., (ITEMS 6-15)	370.00
90GS25GVA	GATE VALVE ASSEMBLY 2 1/2", (ITEMS 20-23)	230.00
90GSA25WPA	WATER PLENUM ASSEMBLY, (ITEMS 16,17 & 21-26)	160.00
90GS25FA	FLANGE ADAPTOR 2-1/2" (ITEMS 16-19)	85.00
90GSNCA-NOV	NOVA, NOZZLE CONNECTION ASSY. (ITEMS 16-27)	525.00
90GSNCA-NOR	NORTHSTAR, NOZZLE CONNECTION ASSY. (ITEMS 16-27)	525.00
90GSNCA-SOL	SOLACE, NOZZLE CONNECTION ASSY. (ITEMS 16-27)	525.00
90GSNCA-GAL	GALAXY, NOZZLE CONNECTION ASSY. (ITEMS 16-27)	525.00
90GSNCA-DIA	DIANA, NOZZLE CONNECTION ASSY. (ITEMS 16-27)	525.00
	<b>CONTROL PANEL ASSEMBLIES</b>	
94ECP12301	CONTROL PANEL, ETL, 1HP, 230V, 1PH	1,200.00
94ECP22301	CONTROL PANEL, ETL, 2HP, 230V, 1PH	1,500.00
94ECP32301	CONTROL PANEL, ETL, 3HP, 230V, 1PH	1,875.00
	<b>CONTROL PANEL COMPONENTS</b>	
15CB-VJ1614HW	ENCLOSURE 16 X 14	415.00
15A16P14	MOUNTING PLATE, COMPONENT	95.00
15TS-M221-3	TIME CLOCK, 230 VOLT	140.00
15TMP-A4511B	MOUNTING PLATE, TIMER	15.00
15KSHC1024	KELLUM 1/2"	15.00
15GFCI44760	EQPT. LEAKAGE CIRCUIT INTERRUPTOR, 230V	130.00
15TB11512017	TERMINAL BLOCK, BODY	3.90
15TBES118368	TERMINAL BLOCK, END SECTION	1.00
15TBES10300206	TERMINAL BLOCK, END STOP	1.80
5828240850	CONTROL BOX (FRANKLIN) 1/230/1	160.00
5828230181	CONTROL BOX (FRANKLIN) 2/230/1	265.00
5828230281	CONTROL BOX (FRANKLIN) 3/230/1	335.00