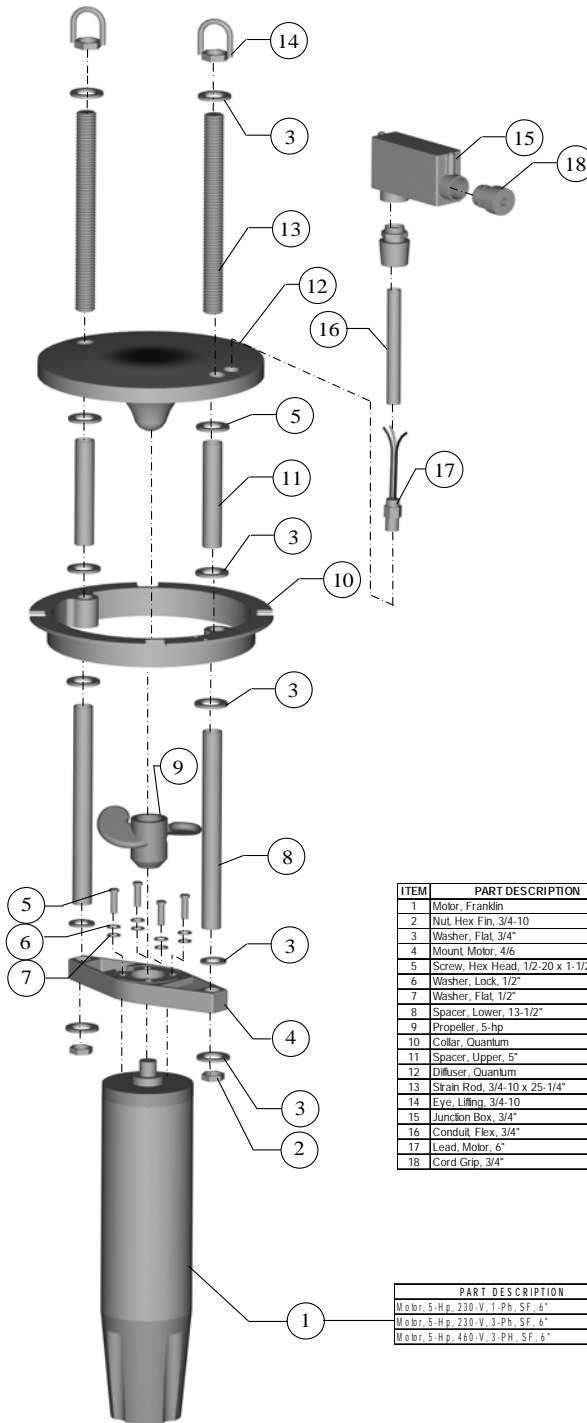


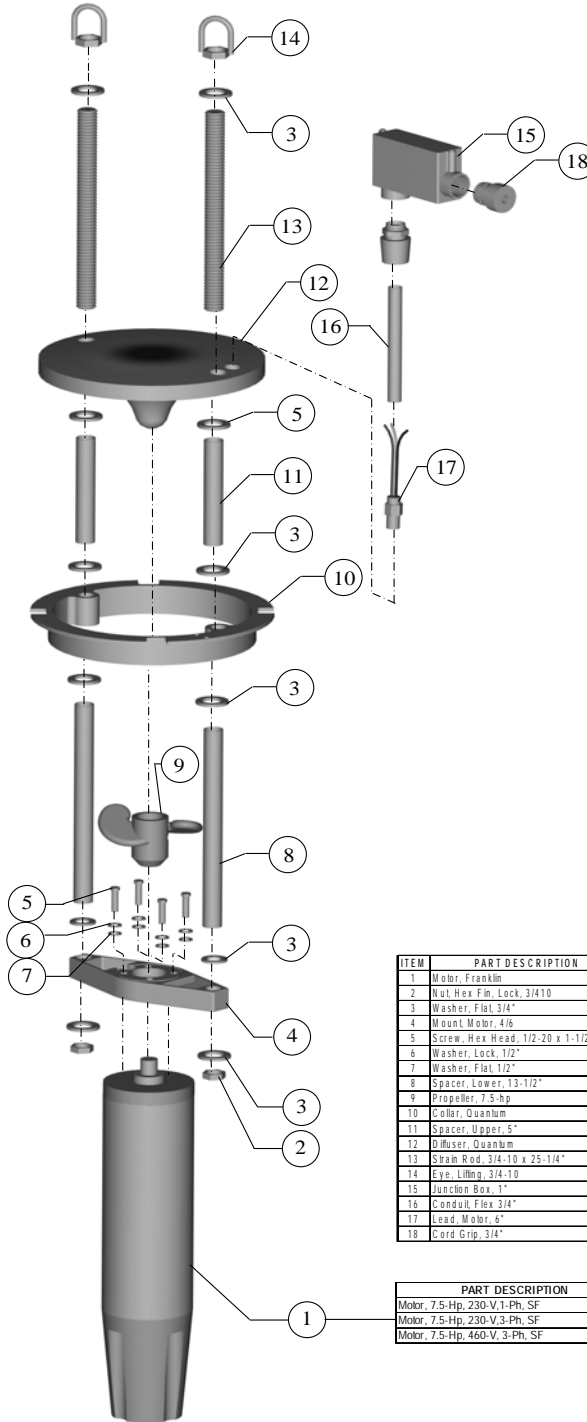
QUANTUM AERATOR PARTS LIST, 5 H.P.



ITEM	PART DESCRIPTION	QTY	PART NUMBER
1	Motor, Franklin	1	See Listing
2	Nut, Hex Fin, 3/4-10	2	18078615
3	Washer, Flat, 3/4"	12	18079405
4	Mount, Motor, 4/6	1	61MM46
5	Screw, Hex Head, 1/2-20 x 1-1/2"	4	18004526
6	Washer, Lock, 1/2"	4	18080500
7	Washer, Flat, 1/2"	4	18079055
8	Spacer, Lower, 13-1/2"	2	85SP135
9	Propeller, 5-hp	1	71PS7X356
10	Collar, Quantum	1	61CM4-6
11	Spacer, Upper, 5"	2	85SP5
12	Diffuser, Quantum	1	07DF 012RM
13	Strain Rod, 3/4-10 x 25-1/4"	2	85SR25.25
14	Eye, Lifting, 3/4-10	2	18LEN34
15	Junction Box, 3/4"	1	15JBC986F
16	Conduit, Flex, 3/4"	12	15T PVC34
17	Lead, Motor, 6"	1	58152671901
18	Cord Grip, 3/4"	1	Wire Size Req'd

PART DESCRIPTION	PART NUMBER
Motor, 5-Hp, 230-V, 1-Ph, SF, 6"	1923611080
Motor, 5-Hp, 230-V, 3-Ph, SF, 6"	1923660080
Motor, 5-Hp, 460-V, 3-Ph, SF, 6"	1923661080

QUANTUM AERATOR PARTS LIST, 7 1/2H.P.

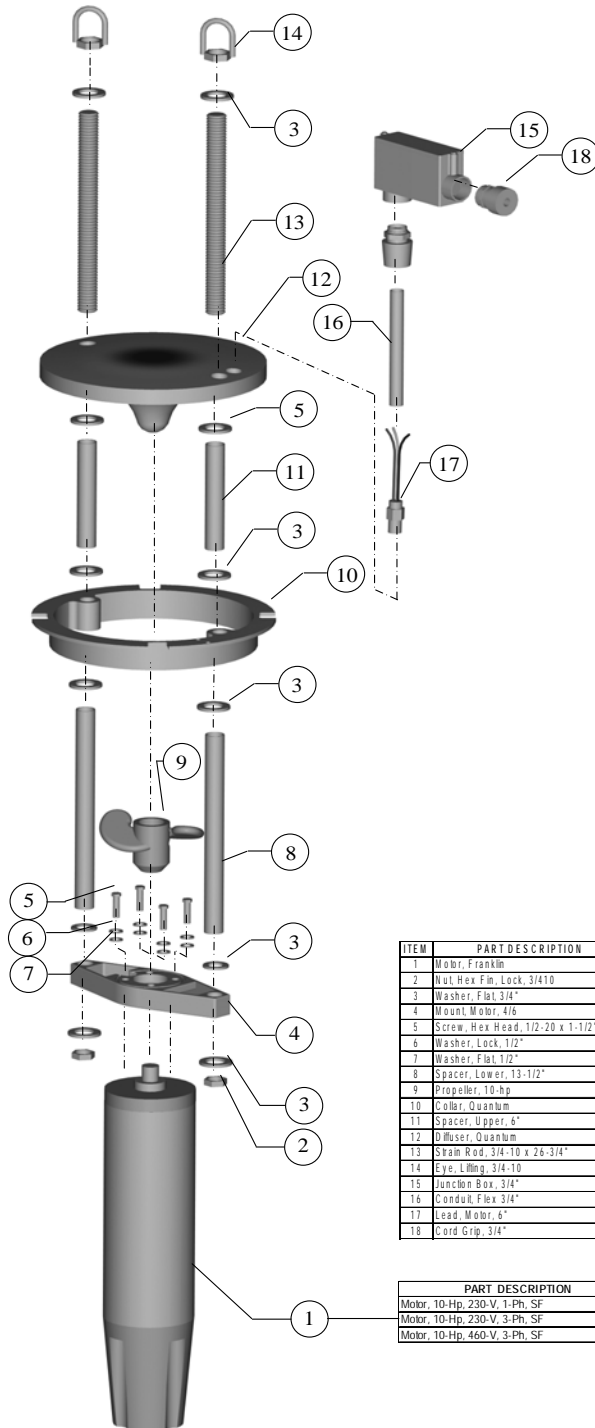


ITEM	PART DESCRIPTION	QTY	PART NUMBER
1	Motor, Franklin	1	See Listing
2	Nut, Hex Fin. Lock, 3/4-10	2	18078615
3	Washer, Flat, 3/4"	12	18079405
4	Mount, Motor, 4/6	1	61MM46
5	Screw, Hex Head, 1/2-20 x 1-1/2"	4	18004526
6	Washer, Lock, 1/2"	4	18000500
7	Washer, Flat, 1/2"	4	18079055
8	Spacer, Lower, 13-1/2"	2	85SP135
8	Propeller, 7.5-hp	1	PTP58X3
10	Collar, Quantum	1	61C14-6
11	Spacer, Upper, 5"	2	85SP5
12	Mount, Quantum	1	DTDF012RM
13	Shaft Rod, 3/4-10 x 25-1/4"	2	85SR2525
14	Eye Lift, 3/4-10	2	18LEN34
15	Junction Box, 1"	1	15JB E986F
16	Conduit, Flex 3/4"	12	15TPVC34
17	Lead, Motor, 6"	1	58152671901
18	Card Grip, 3/4"	1	Wire Size Req'd

PART DESCRIPTION	PART NUMBER
Motor, 7.5-Hp, 230-V, 1-Ph, SF	492261180
Motor, 7.5-Hp, 230-V, 3-Ph, SF	4923660180
Motor, 7.5-Hp, 460-V, 3-Ph, SF	4923666180

01/01/06

QUANTUM AERATOR PARTS LIST, 10 H.P.

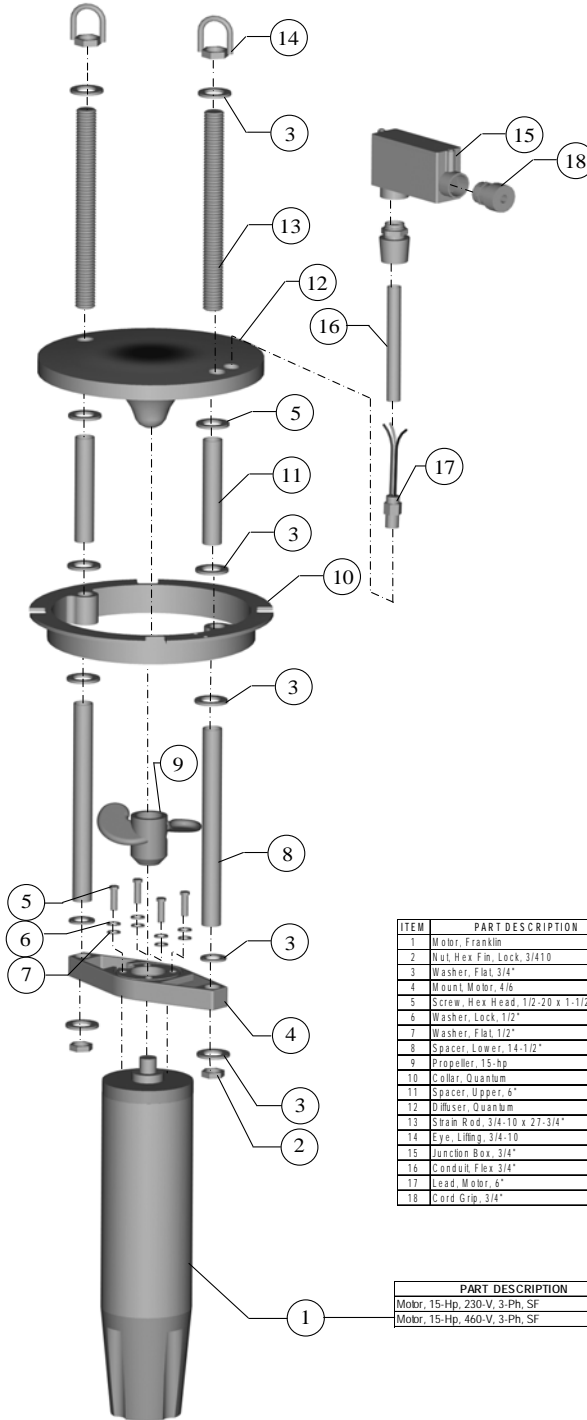


ITEM	PART DESCRIPTION	QTY	PART NUMBER
1	Motor, Frankl	1	See L55mg
2	Nut, Hex Fm, Lock, 3/4-10	2	18070815
3	Washer, Flat, 3/4"	12	18079405
4	Mount, Motor, 41/8	1	61MM46
5	Screw, Hex Head, 1/2-20 x 1-1/2"	4	18004526
6	Washer, Lock, 1/2"	4	18080500
7	Washer, Flat, 1/2"	4	18079055
8	Spacer, Lower, 13-1/2"	2	85SP135
9	Propeller, 10-hp	1	71PS84
10	Collar, Quantum	1	61CM4-6
11	Spacer, Upper, 6"	2	85SP6
12	Diffuser, Quantum	1	07DF012RM
13	Strain Rod, 3/4-10 x 26-3/4"	2	85SR26275
14	Eye, LHMg, 3/4-10	2	181EN34
15	Junction Box, 3/4"	1	15JBE986F
16	Conduit, Flex, 3/4"	12	15TPVC34
17	Lead, Motor, 6"	1	58152671901
18	Cord Grip, 3/4"	1	Wire Size Req'd

PART DESCRIPTION	PART NUMBER
Motor, 10-Hp, 230-V, 1-Ph, SF	4922611280
Motor, 10-Hp, 230-V, 3-Ph, SF	4923660280
Motor, 10-Hp, 460-V, 3-Ph, SF	4923661280

01/01/06

QUANTUM AERATOR PARTS LIST, 15 H.P.

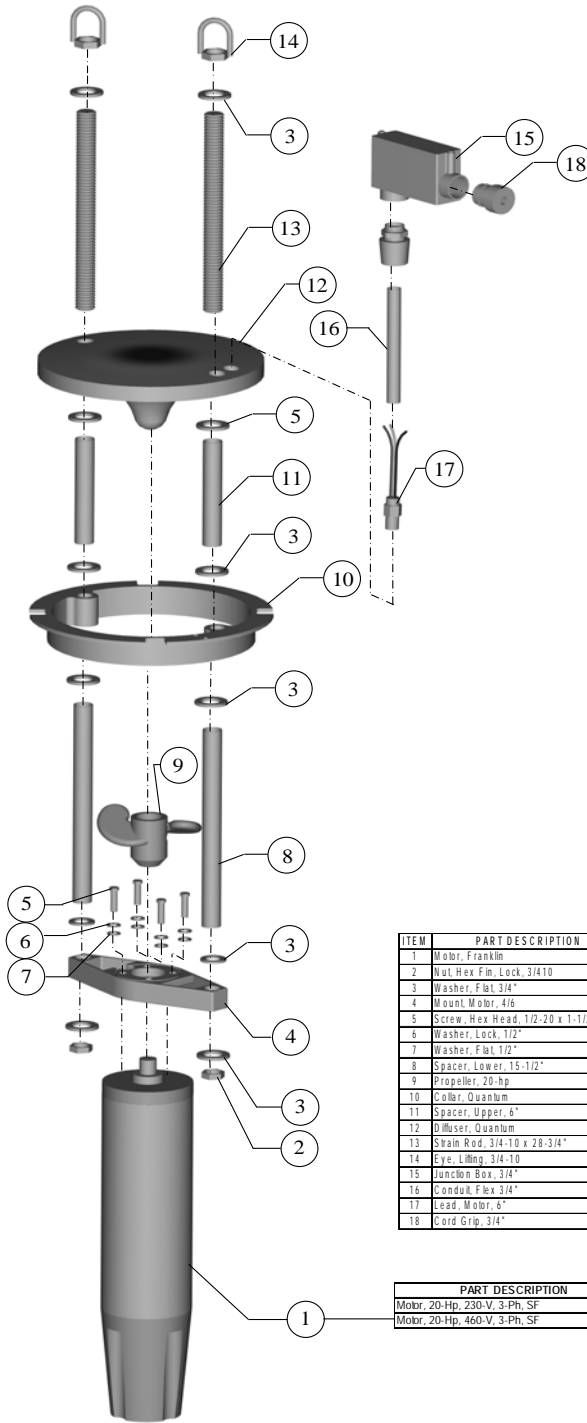


ITEM	PART DESCRIPTION	QTY	PART NUMBER
1	Motor, Franklin	1	See Listing
2	Nut, Hex Fin. Lock, 3/4-10	2	18078615
3	Washer, Flat, 3/4"	12	18079405
4	Mount Motor, 4/8"	1	61M4/8
5	Screw, Hex Head, 1/2-20 x 1-1/2"	4	18004526
6	Washer, Lock, 1/2"	4	18080500
7	Washer, Flat, 1/2"	4	18079055
8	Spacer, Lower, 14-1/2"	2	85SP145
9	Propeller, 15-hp	1	71PS9X4
10	Collar, Quantum	1	61CM4-6
11	Spacer, Upper, 6"	2	85SP6
12	Diffuser, Quantum	1	07DFQ12RM
13	Strain Rod, 3/4-10 x 27-3/4"	2	85SR2775
14	Eye, Lifting, 3/4-10	2	18LEN34
15	Junction Box, 3/4"	1	15JBE986F
16	Conduit, Flex, 3/4"	13	15T PVC 3/4
17	Lead, Motor, 6"	1	58152671901
18	Cord Grip, 3/4"	1	Wire Size Req'd

PART DESCRIPTION	PART NUMBER
Motor, 15-Hp, 230-V, 3-Ph, SF	4923660380
Motor, 15-Hp, 460-V, 3-Ph, SF	4923661380

01/01/06

QUANTUM AERATOR PARTS LIST, 20 H.P.

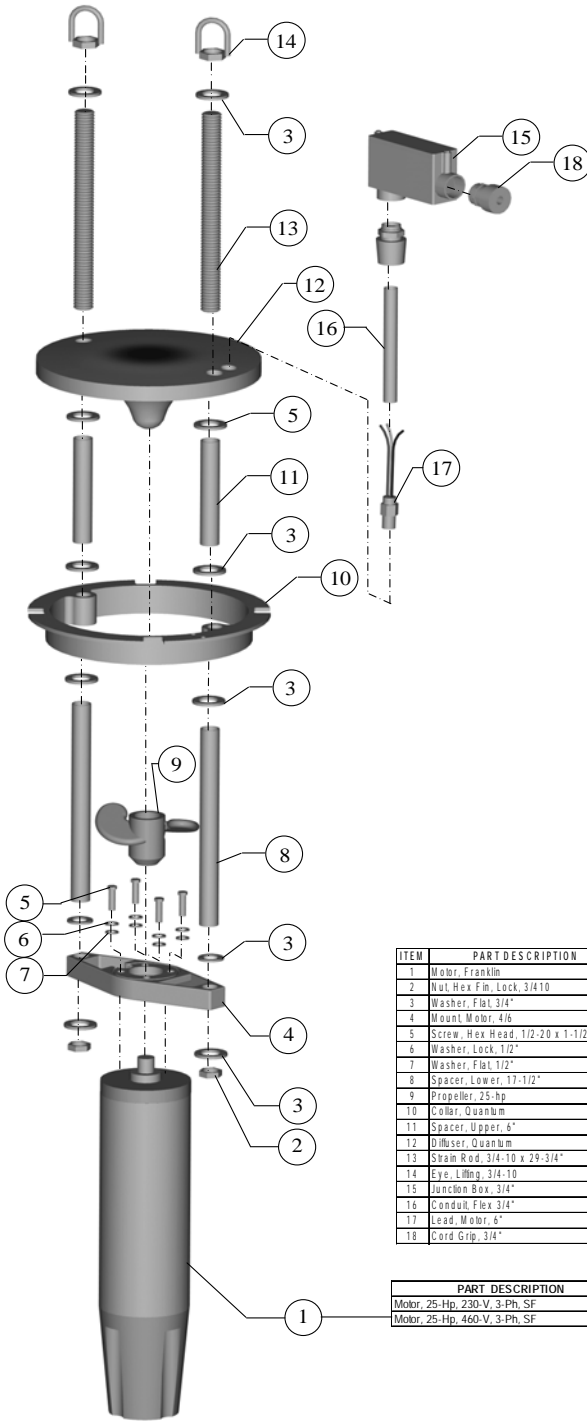


ITEM	PART DESCRIPTION	QTY	PART NUMBER
1	Motor, Franklin	1	See Listing
2	Nut, Hex Flt, Lock, 3/4-10	2	18078615
3	Washer, Flt, 3/4"	12	18079405
4	Mount, Motor, 4/6	1	61MM46
5	Screw, Hex Head, 1/2-20 x 1-1/2"	4	18004526
6	Washer, Lock, 1/2"	4	18080500
7	Washer, Flt, 1/2"	4	18079055
8	Spacer, Lower, 15 1/2"	2	85SP155
9	Propeller, 20-hp	1	71PS9X5
10	Collar, Quantum	1	61CM4-6
11	Spacer, Upper, 6"	2	85SP6
12	Diffuser, Quantum	1	07DF012RM
13	Strain Rod, 3/4-10 x 28-3/4"	2	85SR2875
14	Eye, Limg, 3/4-10	2	18LEN34
15	Junction Box, 3/4"	1	15JBE986F
16	Conduit, Flex, 3/4"	13	15TPVC34
17	Lead, Motor, 6"	1	68152671901
18	Cord Grip, 3/4"	1	Wire Size Req'd

PART DESCRIPTION	PART NUMBER
Motor, 20-Hp, 230-V, 3-Ph, SF	4923660480
Motor, 20-Hp, 460-V, 3-Ph, SF	4923661480

01/01/06

QUANTUM AERATOR PARTS LIST, 25 H.P.



ITEM	PART DESCRIPTION	QTY	PART NUMBER
1	Motor, Franklin	1	See Listing
2	Nut, Hex Fin, Lock, 3/4-10	2	18078615
3	Washer, Flat, 3/4"	12	18079405
4	Mount, Motor, 4/6	1	61M46
5	Screw, Hex Head, 1/2-20 x 1-1/2"	4	18004526
6	Washer, Lock, 1/2"	4	18080500
7	Washer, Flat, 1/2"	4	18079055
8	Spacer, Lower, 17-1/2"	2	85SP175
9	Propeller, 25-hp	1	71PS9X6
10	Collar, Quantum	1	61CM4-6
11	Spacer, Upper, 6"	2	85SP6
12	Diffuser, Quantum	1	07DF012RM
13	Strain Rod, 3/4-10 x 29-3/4"	2	85SR2975
14	Eye, L/Wing, 3/4-10	2	18LEN34
15	Junction Box, 3/4"	1	15JBE986F
16	Conduit, Flex, 3/4"	16	15TPVC34
17	Lead, Motor, 6"	1	58152671901
18	Cord Grip, 3/4"	1	Wire Size Req'd

PART DESCRIPTION	PART NUMBER
Motor, 25-Hp, 230-V, 3-Ph, SF	4923660580
Motor, 25-Hp, 460-V, 3-Ph, SF	4923661580

