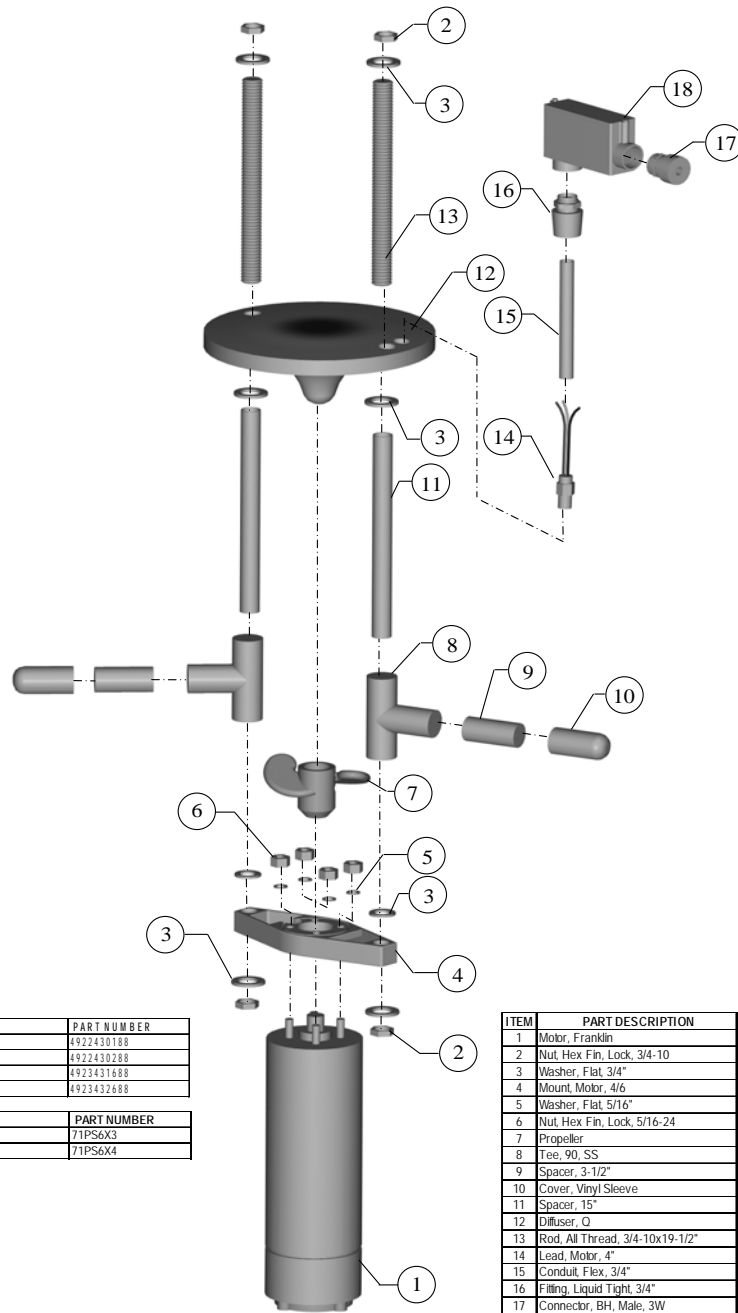


AQUARIAN COMMERCIAL AERATOR PARTS LIST



MOTOR, FRANKLIN	PART NUMBER
2-HP, 230-V, 1-PH, SF	4922430188
3-HP, 230-V, 1-PH, SF	4922430288
3-HP, 230-V, 3-PH, SF	4923431688
3-HP, 460-V, 3-PH, SF	4923432688

PROPELLER	PART NUMBER
2-HP, 6 x 3	71PS6X3
3-HP, 6 x 4	71PS6X4

ITEM	PART DESCRIPTION	QTY	PART NUMBER
1	Motor, Franklin	1	See Listing
2	Nut, Hex Fin, Lock, 3/4-10	4	18078615
3	Washer, Flat, 3/4"	8	18079405
4	Mount, Motor, 4/6	1	61MM46
5	Washer, Flat, 5/16"	4	18079025
6	Nut, Hex Fin, Lock, 5/16-24	4	18078500
7	Propeller	1	See Listing
8	Tee, 90, SS	2	18ST190
9	Spacer, 3-1/2"	2	85SP35
10	Cover, Vinyl Sleeve	2	15VCACT1X3
11	Spacer, 15"	2	85SP15
12	Diffuser, Q	1	07DF012RM
13	Rod, All Thread, 3/4-10x19-1/2"	2	85SR195
14	Lead, Motor, 4"	1	58152553905
15	Conduit, Flex, 3/4"	12	15TPVC34
16	Fitting, Liquid Tight, 3/4"	1	15LT43E
17	Connector, BH, Male, 3W	1	15CN-32681
18	Box, Junction, 1"	1	15JBE986F

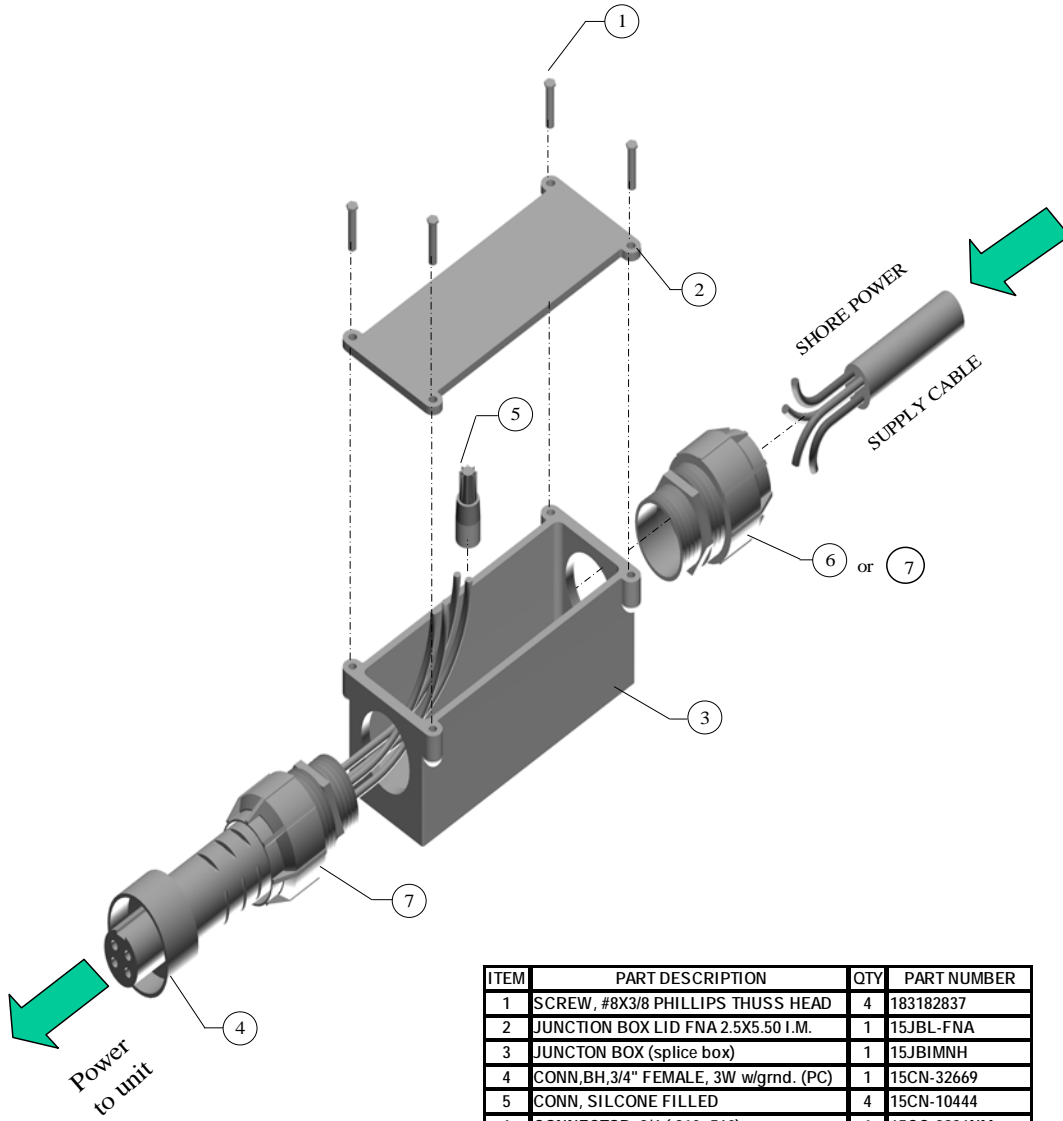
01/01/08

AQUARIAN COMMERCIAL PARTS LIST

1/1/09

ITEM NO.	PART NO.	DESCRIPTION	PRICE
1	4922430188	MOTOR, FRANKLIN, 2.0 HP, 230-VOLT, 1 PH., 60 Hz., SF	950.00
	4922430288	MOTOR, FRANKLIN, 3.0 HP, 230-VOLT, 1 PH., 60 Hz., SF	1,150.00
	4923431688	MOTOR, FRANKLIN, 3.0 HP, 230-VOLT, 3 PH., 60 Hz., SF	1,150.00
	4923432688	MOTOR, FRANKLIN, 3.0 HP, 460-VOLT, 3-PH., 60 Hz., SF	1,150.00
2	18078615	NUT, HEX FIN, LOCK, 3/4-10	3.00
3	18079405	WASHER, FLAT, 3/4"	2.60
4	61MM46	MOUNT, MOTOR, 4/6	285.00
5	18079025	WASHER, FLAT, 5/16"	0.20
6	18078500	NUT, HEX FIN, LOCK, 5/16-24	0.40
7	71PS6X3	PROPELLER, 2.0 HP	295.00
	71PS6X4	PROPELLER, 3.0 HP	295.00
8	18ST190	TEE, 90, SS	15.00
9	85SP35	SPACER, 3-1/2"	4.00
10	15VCACT1X3	COVER, VINYL SLEEVE	1.25
11	85SP15	SPACER, 15"	17.00
12	07DFQ12RM	DIFFUSER, Q	260.00
13	85SR195	ROD, ALL THREAD, 3/4-10 x 19-1/2"	46.00
14	58152553905	LEAD, MOTOR 4"	60.00
15	15TPVC34	CONDUIT, FLEX, 3/4"	.15 per/inch
16	15LT43E	FITTING, LIQUID TIGHT, 3/4"	5.70
17	15CN-32681	CONNECTOR, BH, MALE, 3W	70.00
18	15JBE986F	BOX, JUNCTION, 1"	20.00
	90FA36	FLOAT 36"	290.00
	90PG5X10	PROP GUARD	62.00
	58155202102	MOTOR STUD, SANDFIGHTER, 2-5HP	4.60
	90SSWSW4	SHAFT SLINGER w/SPLINE PROTECTOR	1.80
	90TR221-3	TIME CLOCK, 230-VOLT, NEMA 3R	150.00
	90DSAQC	DRIVE STRUCTURE ASSEMBY (items 2-6 & 8-13)	805.00
	90JBAQC	JUNCTION BOX ASSEMBLY (items 14-18)	190.00
	90MLA4	MOTOR LEAD ASSEMBLY (motor lead & wire nuts)	70.00
	90SPBA3W	SPLICE BOX ASSEMBLY 3W (for power cord)	185.00
	90ELCI26140	ELCI ASSEMBLY 230V, 1PH, 20 AMP	95.00
	90CBAQC22301	CONTROL BOX ASSEMBLY 2/230/1	450.00
	90CBAQC32301	CONTROL BOX ASSEMBLY 3/230/1	535.00
	90CBAQC32303	CONTROL BOX ASSEMBLY 3/230/3	670.00
	90CBAQC34603	CONTROL BOX ASSEMBLY 3/460/3	670.00
	90PDAC22301	POWER DRIVE ASSY 2/230/1 (ITEMS 1-18)	3,200.00
	90PDAC32301	POWER DRIVE ASSY 3/230/1 (ITEMS 1-18)	3,500.00
	90PDAC32303	POWER DRIVE ASSY 3/230/3 (ITEMS 1-18)	3,500.00
	90PDAC34603	POWER DRIVE ASSY 3/460/3 (ITEMS 1-18)	3,500.00
		*NOTE: UNIT LESS FLOAT, WIRE & CONTROLS	

SPLICE BOX ASSEMBLY
90SPBA3W
FOR 3 WIRE MOTOR



ITEM	PART DESCRIPTION	QTY	PART NUMBER
1	SCREW, #8X3/8 PHILLIPS THUSS HEAD	4	183182837
2	JUNCTION BOX LID FNA 2.5X5.50 I.M.	1	15JBL-FNA
3	JUNCTION BOX (splice box)	1	15JBIMNH
4	CONN,BH,3/4" FEMALE, 3W w/gmd. (PC)	1	15CN-32669
5	CONN, SILCONE FILLED	4	15CN-10444
6	CONNECTOR, 3/4 (.310-.560)	1	15CC-2931NM
7	CONNECTOR, 3/4 (.500-.750)	1	15CC-2932NM

AQUARIAN COMMERCIAL PARTS LIST

1/1/09

PART NUMBER	DESCRIPTION	PRICE
	AQ COMM 2 & 3 HP, 1PH	
90WA10012AC2	WIRE ASSY., 100', 12/4 SJEOW, w/BH CONN.	385.00
90WA15012AC2	WIRE ASSY., 150', 12/4 SJEOW, w/BH CONN.	497.50
90WA20012AC2	WIRE ASSY., 200', 12/4 SJEOW, w/BH CONN.	610.00
90WA25012AC2	WIRE ASSY., 250', 12/4 SJEOW, w/BH CONN.	722.50
90WA30012AC2	WIRE ASSY., 300', 12/4 SJEOW, w/BH CONN.	835.00
90WA35012AC2	WIRE ASSY., 350', 12/4 SJEOW, w/BH CONN.	947.50
90WA40012AC2	WIRE ASSY., 400', 12/4 SJEOW, w/BH CONN.	1,060.00
90WA20010AC2	WIRE ASSY., 200', 10/4 SEOW, w/BH CONN.	900.00
90WA25010AC2	WIRE ASSY., 250', 10/4 SEOW, w/BH CONN.	1,095.00
90WA30010AC2	WIRE ASSY., 300', 10/4 SEOW, w/BH CONN.	1,290.00
90WA35010AC2	WIRE ASSY., 350', 10/4 SEOW, w/BH CONN.	1,485.00
90WA40010AC2	WIRE ASSY., 400', 10/4 SEOW, w/BH CONN.	1,680.00
	AQ COMM 3HP, 230V, 3PH	
90WA10012AC1	WIRE ASSY., 100', 12/4 SEOW, w/BH CONN.	385.00
90WA15012AC1	WIRE ASSY., 150', 12/4 SEOW, w/BH CONN.	497.50
90WA20012AC1	WIRE ASSY., 200', 12/4 SEOW, w/BH CONN.	610.00
90WA25012AC1	WIRE ASSY., 250', 12/4 SEOW, w/BH CONN.	722.50
90WA30012AC1	WIRE ASSY., 300', 12/4 SEOW, w/BH CONN.	835.00
90WA35012AC1	WIRE ASSY., 350', 12/4 SEOW, w/BH CONN.	947.50
90WA40012AC1	WIRE ASSY., 400', 12/4 SEOW, w/BH CONN.	1,060.00
	AQ COMM 3HP, 460V, 3PH ONLY	
90WA10012BH6	WIRE ASSY, 100', 12/4 SEOW W/BH CONN, 600V	485.00
	SEE SPLICE BOX ASSEMBLY, PAGE 3	
183182837	SCREW, #8X3/8 PHILLIPS THUSS HEAD	0.20
15JBL-FNA	JUNCTION BOX LID, FNA, 2.5X5.50 I.M.	5.00
15JBIMNH	JUNCTION BOX (SPLICE BOX)	26.00
15CN-32669	CONNECTOR, BH, FEMALE, 3W w/grnd. (PC)	145.00
15CN-10444	CONNECTOR, SILICONE FILLED	2.50
15CC-2931NM	CORD CONNECTOR, 3/4", (.310-.560) (FOR 12/4 WIRE)	15.00
15CC-2932NM	CORD CONNECTOR, 3/4", (.500-.750) (FOR 10/4 WIRE)	15.00
15SJEOW12-4	WIRE, 12/4, SJEOW (price per ft.)	2.95
15SEOW12-4	WIRE, 12/4, SEOW 600 Volt (price per ft.)	3.90
15SEOW10-4	WIRE, 10/4, SEOW (price per ft.)	4.90
90CN32669	FEMALE BH CONN. ASSY W/WIRE NUTS (Items 4 & 5, Pg 3)	155.00
90SPBA3W	SPLICE BOX ASSY. W/ BH CONN. (Items 1-7, Page 3)	185.00